

**Performance**

|  |            |
|--|------------|
| Lifting height — on stabilisers          | 13600.0 mm |
| Lifting height — on tyres                | 13300.0 mm |
| Rated capacity                           | 4100 kg    |
| Capacity (at max. height on stabilisers) | 4100 kg    |
| Capacity (at max. height on tyres)       | 2500 kg    |
| Capacity (at max. reach on stabilisers)  | 1250 kg    |
| Capacity (at max. reach on tyres)        | 500 kg     |
| Max. reach on stabilisers                | 9800.0 mm  |
| Max. reach on tyres                      | 9800.0 mm  |
| Crowding force                           | 5200 daN   |

**Weights**

|                  |          |
|------------------|----------|
| Weight (unladen) | 10290 kg |
|------------------|----------|

**Traction**

|                       |                           |
|-----------------------|---------------------------|
| Standard tyres        | 400/80x24                 |
| 1st gear / low range  | 8.5 km/h                  |
| 2nd gear / high range | 30.0 km/h                 |
| Driving modes         | Direct drive / soft drive |

**Drive System**

|              |  |
|--------------|--|
| Transmission | Hydrostatic with electronic regulation |
| Main drive   | Hydrostatic motor                      |

**Engine**

|                                     |                    |
|-------------------------------------|--------------------|
| Make / Model                        | DEUTZ / TCD 3.6 L4 |
| Fuel                                | Diesel             |
| Cooling                             | Liquid             |
| Rated power (ISO 14396) at 2300 RPM | 100.0 HP           |
| Rated power (ISO 14396) at 2300 RPM | 74.4 kW            |
| Maximum torque at 1600 RPM          | 410.0 Nm           |
| Number of cylinders                 | 4                  |
| Displacement                        | 3.62 L             |

**Hydraulic System**

|                               |                         |
|-------------------------------|-------------------------|
| Pump type                     | Gear pump with LS valve |
| Combined pump capacity        | 100.00 L/min            |
| Pump capacity                 | 100.00 L/min            |
| Relief valve pressure setting | 255.00 bar              |

**Cycle Times**

|   |        |
|---|--------|
| Lift time - no load                         | 12.8 s |
| Lower time - no load                        | 8.4 s  |
| Telescope in time at max. reach - no load   | 12.9 s |
| Telescope in time at max. height - no load  | 11.3 s |
| Telescope out time at max. reach - no load  | 18.8 s |
| Telescope out time at max. height - no load | 18.8 s |

**Brakes**

|                             |                                       |
|-----------------------------|---------------------------------------|
| Engine braking              | Hydrostatic                           |
| Parking and emergency brake | Negative brake with hydraulic command |

**Fluid Capacities**

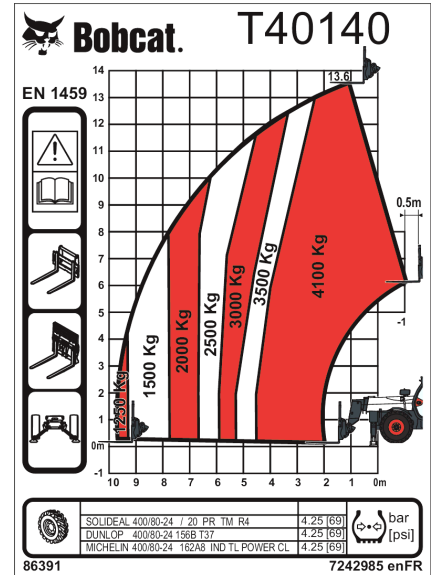
|                     |          |
|---------------------|----------|
| Engine oil          | 8.00 L   |
| Fuel tank           | 145.00 L |
| Hydraulic reservoir | 76.00 L  |

**Environmental**

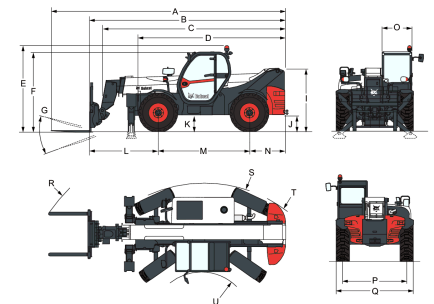
|                                       |                       |
|---------------------------------------|-----------------------|
| Operator noise level (LpA) (EN 12053) | 79 dB(A)              |
| Level of acoustic power (LWA)         | 106 dB(A)             |
| Whole body vibration (EN 13059)       | 0.29 ms <sup>-2</sup> |

**Load Charts**

With forks and standard 400/80x24 tyres, on stabilisers



Complies with stability test EN1459 Annex B

**Dimensions**


|               |               |
|---------------|---------------|
| (-) 16.0°     | (M) 2850.0 mm |
| (-) 109.0°    | (O) 930.0 mm  |
| (A) 7313.0 mm | (P) 1992.0 mm |
| (B) 6052.0 mm | (Q) 2394.0 mm |
| (E) 2670.0 mm | (R) 5720.0 mm |
| (F) 2476.0 mm | (S) 3782.0 mm |
| (G) 124.0°    | (U) 1761.0 mm |
| (J) 500.0 mm  |               |